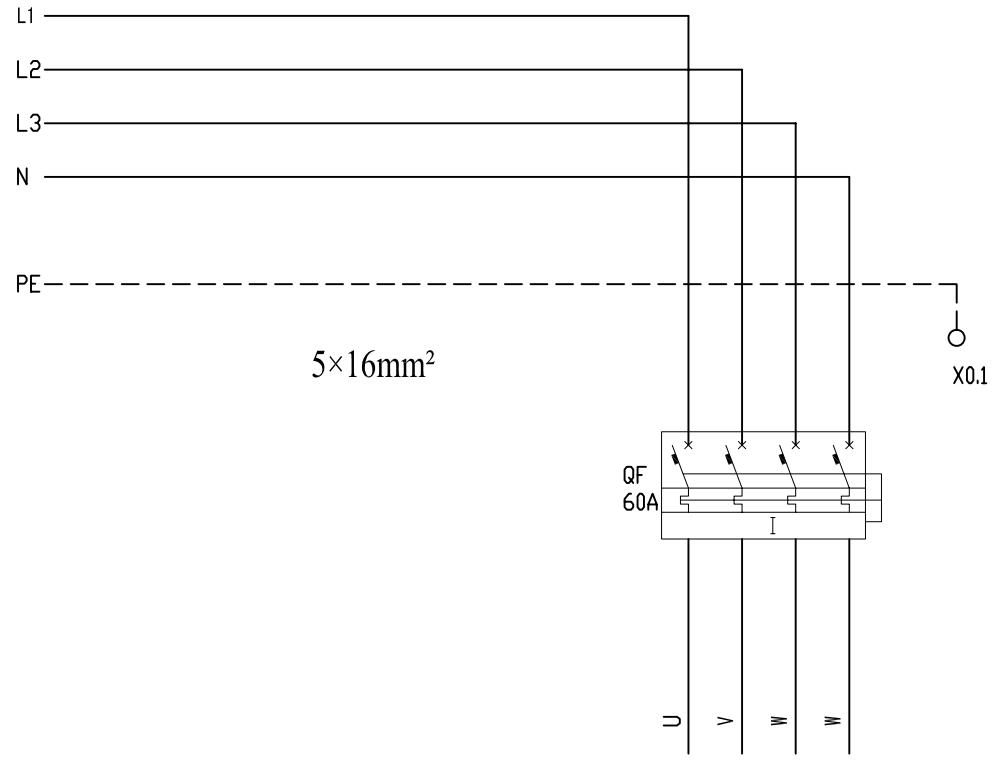


SPRAY BOOTH ELECTRICAL SCHEMATIC DIAGRAM

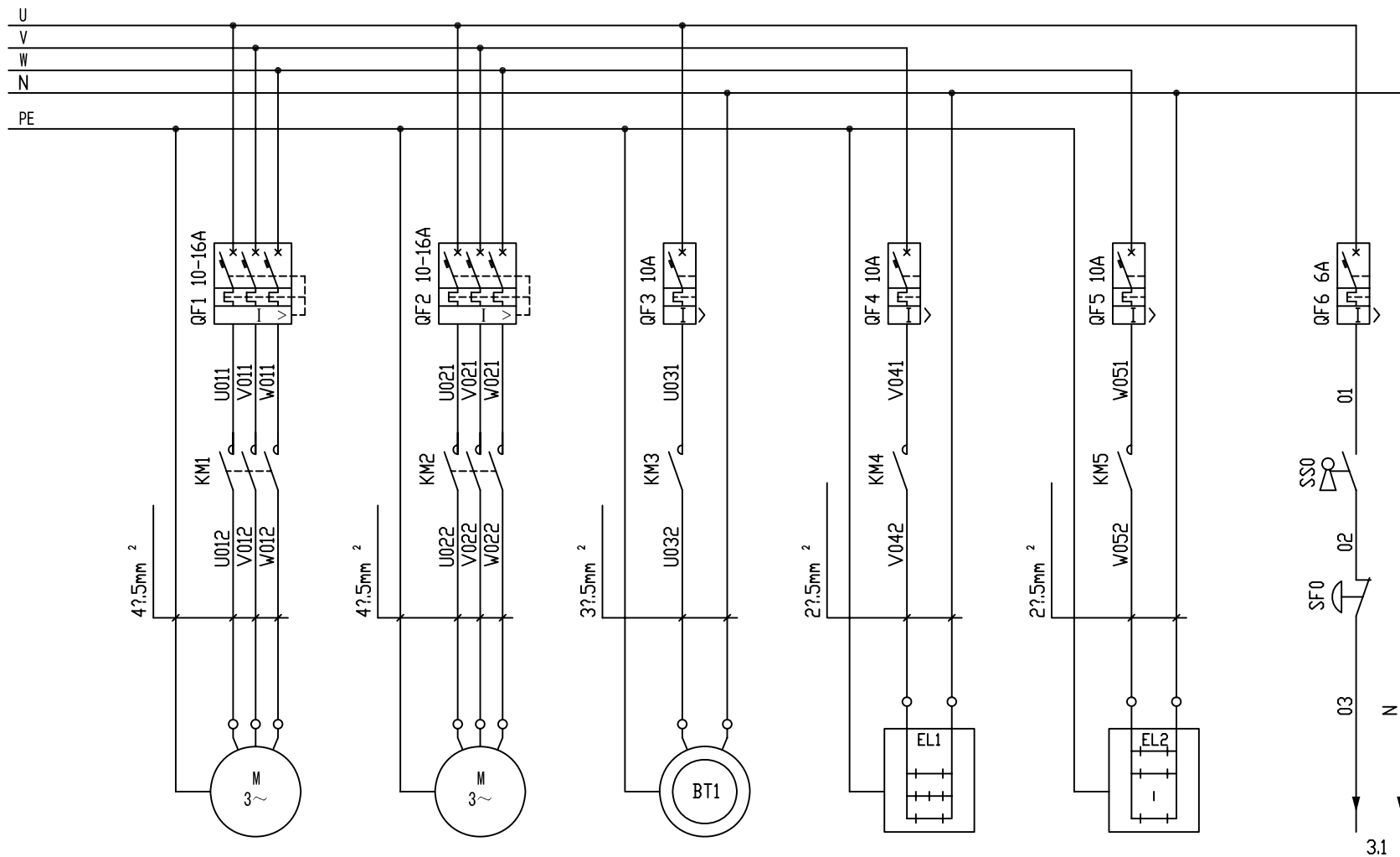
Three-phase + neutral + earth line

3×380VAC / 50HZ



	DRAW	DESIGN	CHECK	APPROVE	DRAWING NO.	PAGE
STANDART						1 / 5

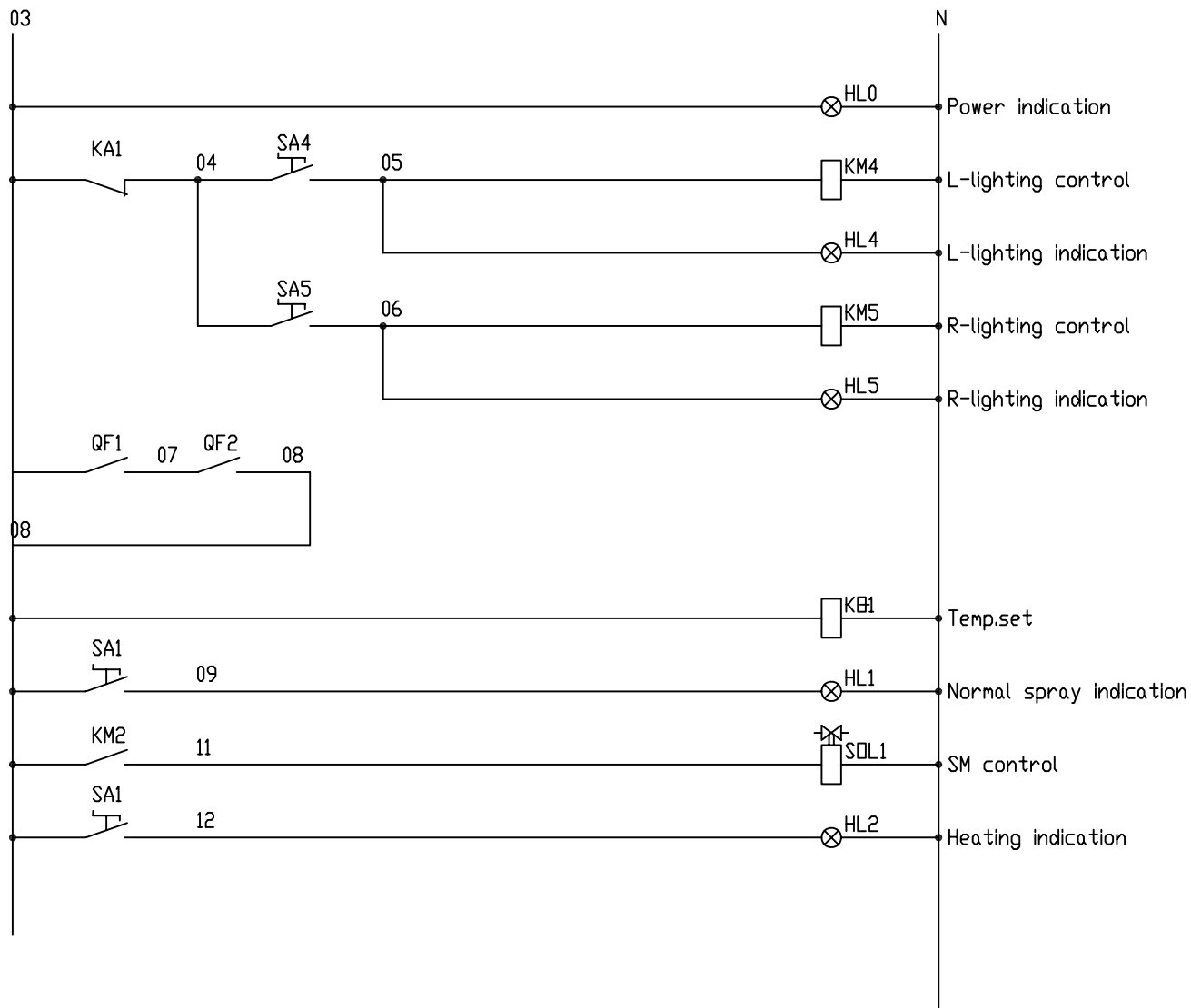
SPRAY BOOTH ELECTRICAL SCHEMATIC DIAGRAM



	Motor 1	Motor 2	Burner	L-lighting	R-lighting	Control power	
	7.5KW 3PH 380V/50HZ	7.5KW 3PH 380V/50HZ	0.55KW 2PH 220V/50HZ	1KW 2PH 220V/50HZ	1KW 2PH 220V/50HZ		
	Inlet	Outlet					

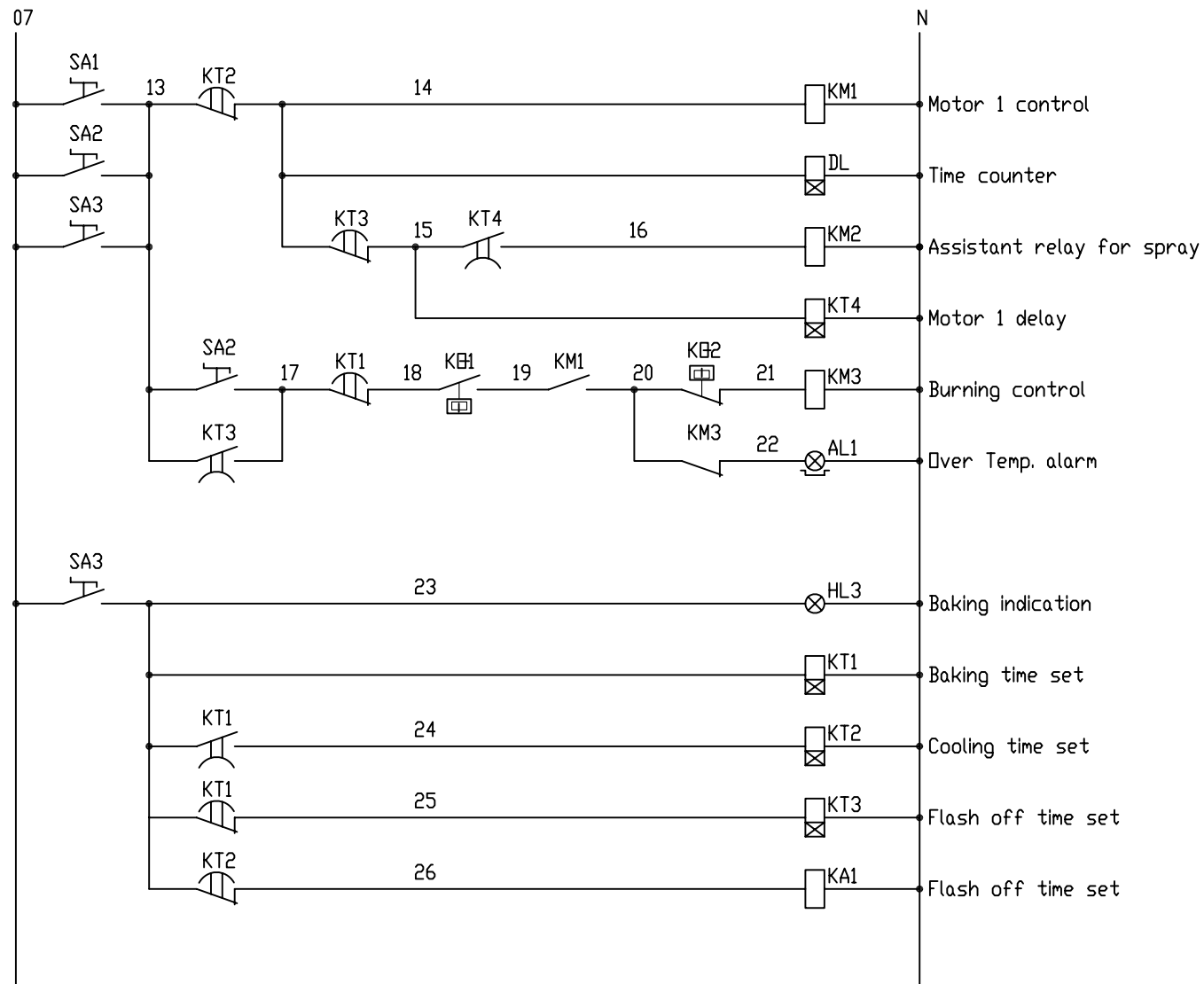
	DRAW	DESIGN	CHECK	APPROVE	DRAWING NO.	PAGE
STANDART						2
						5

SPRAY BOOTH ELECTRICAL SCHEMATIC DIAGRAM



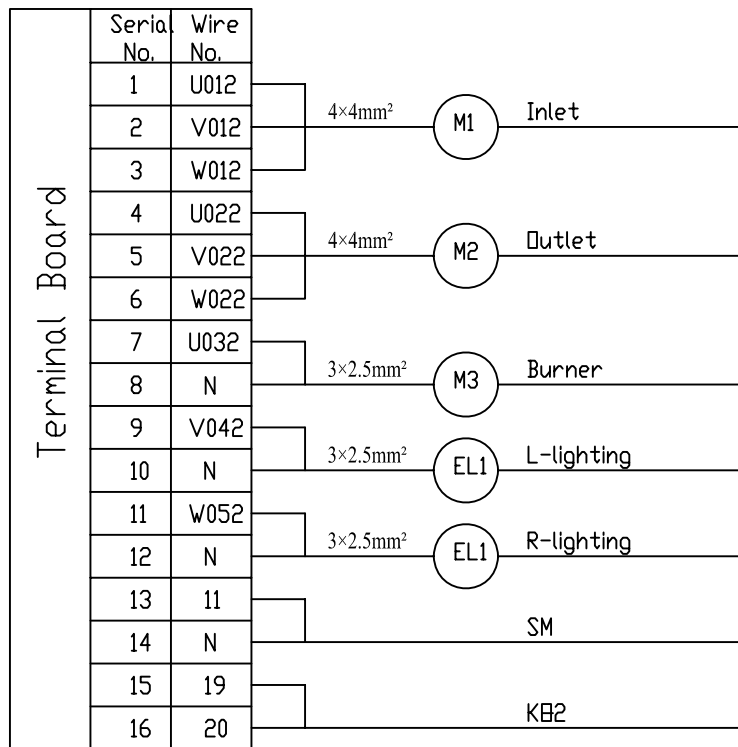
	DRAW	DESIGN	CHECK	APPROVE	DRAWING NO.	PAGE
STANDART						3
						5

SPRAY BOOTH ELECTRICAL SCHEMATIC DIAGRAM



	DRAW	DESIGN	CHECK	APPROVE	DRAWING NO.	PAGE
STANDART						4
						5

SPRAY BOOTH ELECTRICAL SCHEMATIC DIAGRAM



	DRAW	DESIGN	CHECK	APPROVE	DRAWING NO.	PAGE
STANDART						5
						5